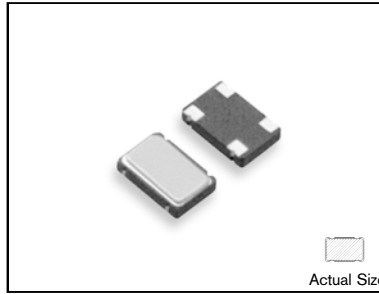


FMXMC3S SERIES

Microprocessor Crystals

CERAMIC SMD 5x3.2



- Surface Mount Ceramic Pkg.
- Micro 5 x 3.2 / Ultra Thin
- High Reliability
- Tight Stability



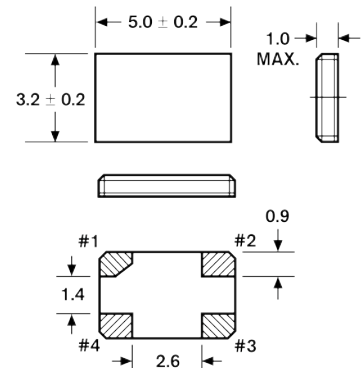
SPECIFICATIONS

09 - Issue 4 - 12102009

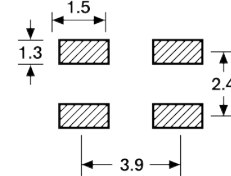
Parameter	Specification
Frequency Range	8.00 - 150.00 MHz
Operation Mode	See Operation Mode and ESR Table
Load Capacitance (CL)	18 pF Std., 6 - 60 pF and Series available
Frequency Tolerance	±30 ppm @ 25°C Std. (See Cal. Tol. for Options)
Temperature Tolerance	±50 ppm Std. (See Temp. Tol. for Options)
Operating Temperature	0 to +70°C Std. (See Temp. Range for Options)
Storage Temperature	-40 to +85°C / -55 to +125°C
Equivalent Series Resistance (ESR)	See Operation Mode and ESR Table
Shunt Capacitance (C0)	7 pF max.
Drive Level	100 µW typical, 100 mW max.
Aging @ 25°C	±5 ppm per year max.
Insulation Resistance	500MΩ min. at 100V _{DC} ±15V
Reflow Conditions	260°C ±10°C for 10sec max., 2 reflows max.

All specifications subject to change without notice.

5 x 3.2 CERAMIC SMD

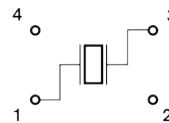


Recommended Land Pattern



OPERATION MODE AND ESR TABLE

Frequency (MHz)	Mode	Max. ESR (Ohms)
8.00 - 10.00	Fundamental	100
10.01 - 12.00	Fundamental	80
12.01 - 20.00	Fundamental	60
20.01 - 50.00	Fundamental	40
40.00 - 150.00	3rd Overtone	80



#2 / #4: connected to lid
#1 / #3: connected to crystal

STANDARD MARKING

XXX.XXXM
FMI YYWW

XXX.XXXM FREQUENCY in MHz
FMI, Date Code

PIN FUNCTION TABLE

Pin	Function
1	Crystal
2	Ground
3	Crystal
4	Ground

NOTE: Standard Specifications for product indicated in color

Dimensions: millimeters

PART DESCRIPTION SYSTEM

FMXM C3S 1 18 H J A - XX.XXXXXXM - CM

