

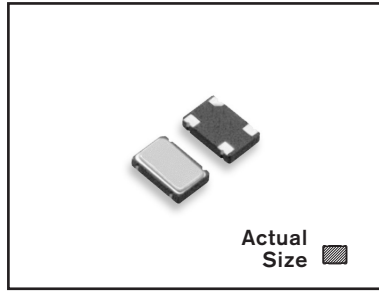
# EXTREME ENVIRONMENT

## SMD HIGH-TEMPERATURE PACKAGED CRYSTAL OSCILLATORS

### FMOCHTSW SERIES

Ultra Low Power  
Miniature Real-time Clock

### Crystal Oscillator



- 32.768 kHz
- Ultra Low Power (1.5µA @ +3.3V)
- 3.2 x 2.5 mm SMD
- -55°C to +150°C
- +1.8 to +5.5V

### SPECIFICATIONS

Issue2 | 08042011

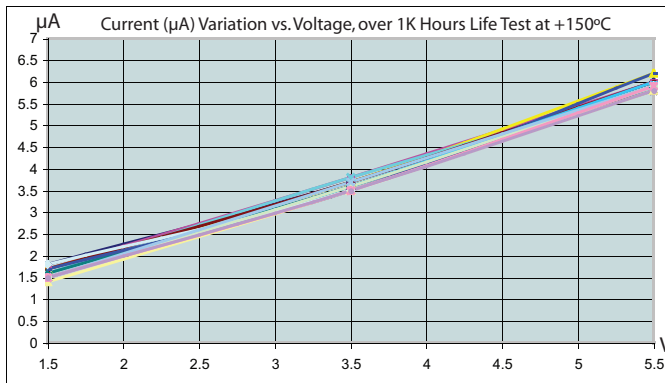


Parameter	Specification
Frequency Range	32.768 kHz
<i>Temperature Range</i>	<i>Frequency Stability</i>
-20°C o +70°C	-90ppm to +10ppm
-40°C o +85°C	-140ppm to +10ppm
-55°C o +125°C	-360ppm to +25ppm
-55°C o +150°C	-600ppm to +25ppm
at +25°C (+3.3V)	+5ppm to ±20ppm
Operating Temperature	-40°C to +85°C standard; available: -55°C to +150°C
Storage Temperature	-65°C to +150°C
Supply Voltage (Vdd)	+3.3 Vdc ±10% or +5.0Vdc (option: +1.8V to +5.5V)
Input Current	2.8 µA max @ +3.3V
Logic	CMOS
Rise & Fall Time	200 ns max
Symmetry (Duty Cycle)	40/60%
Tri-State Control:	
Output "0" Level	Output Disabled
Output "1" Level or Open	Oscillation
Start-up Time	1000 ms max @ +3.3V @ +25°C
Hi-Rel Screening Available / Tested in compliance with MIL-PRF-55310	

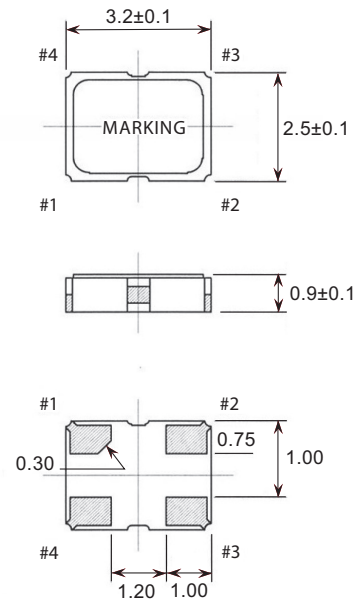
All specifications subject to change without notice.

### SHOCK & VIBRATION

Shock: 500g, 0.5 msec, half sine, 3-axis  
Vibration: 10g, 20 Hz to 2 kHz Random  
(note: other profiles available, please inquire)



### CERAMIC SMD

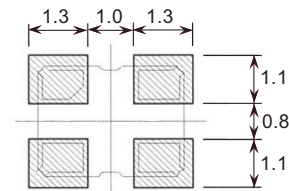


### Recommended Land Pattern

### STANDARD MARKING



XX.XXX FREQUENCY in kHz



### PIN FUNCTION TABLE

Pin	Function	Pin	Function
1	Output Enable	2	Case Ground
3	Output	4	Supply Voltage (Vdd)

Dimensions: mm

PLEASE CONTACT US FOR PART NUMBERS, HOW TO ORDER,  
ADDITIONAL PRODUCT SPECIFICATIONS & OR WITH YOUR CUSTOM REQUIREMENTS