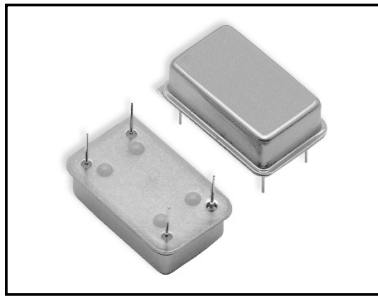


# FMOC11 SERIES

5.0 Vdc Clock Oscillators

14 PIN DIP



- 5.0 Vdc Supply Voltage
- HCMOS/TTL Compatible
- Wide Frequency Range
- Hermetically Sealed

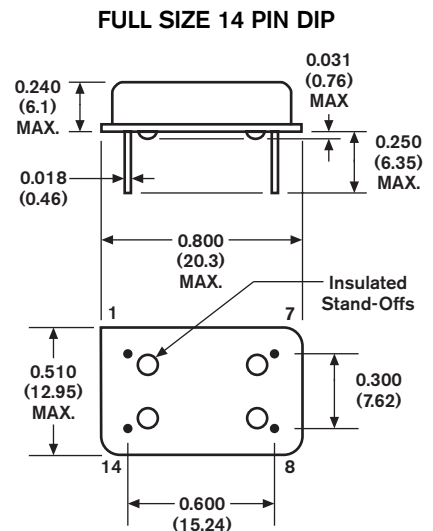
## SPECIFICATIONS

08 - Issue 2 - 041508



Parameter	Specification
Frequency Range	500 kHz - 160 MHz
Overall Frequency Tolerance	±20 ppm to ±100 ppm (Inclusive of Operating Temp., Supply Voltage, & Load)
Operating Temperature Range	0 to +70°C Std. (See Temp. Range Options)
Storage Temperature	-55 to +125°C
Supply Voltage (Vdd)	+5.0 Vdc (±0.5 Vdc)
Supply Current (Icc)	20 mA max. @ 500.0 kHz to 23.9 MHz 40 mA max. @ 24.0 to 49.9 MHz 50 mA max. @ 50.0 to 85.0 MHz 90 mA max. @ 86.0 to 160.0 MHz
Symmetry (Duty Cycle)	40/60% Std., 45/55% Avail. (See Spec. Option S)
Output "0" Level (VOL)	0.4 Vdc max. (TTL) 0.5 Vdc max. (HCMOS)
Output "1" Level (VOH)	2.4 Vdc min. (TTL) 4.5 Vdc min. (HCMOS)
Rise and Fall Time	10 ns max. < 5 ns typical
Jitter	Absolute: ±100 pSec Max One Sigma: ±25 pSec Max
Start Time	0 ms max. < 5 ms typical
Output Load	10 TTL / 50 pF HCMOS (up to 24.0 MHz) 10 TTL / 15 pF HCMOS
Pin 1 Options (See Spec. Option T below)	No Connect (Std.) Tri-State (option T) VIH: 2.2 V or Open Enables Output VIL: 0.8 V Disables Output
Output Disable/Enable Time:	100 nS max.
Aging @ 25°C	±5ppm max first year

All specifications subject to change without notice.



PIN FUNCTION TABLE

Pin	Function
1	NC or Tri-State
7	Case Ground
8	Output
14	Supply Voltage (Vdd)

### STANDARD MARKING

XXX.XXXM  
XXXXXXX  
• FMI YYWW

XXX.XXXM FREQUENCY in MHz  
XXXXXXX Part Number  
Pin 1 Symbol, FMI, Date Code

Standard Specifications for product indicated in color

Dimensions:  $\frac{\text{Inches}}{\text{(mm)}}$

## PART DESCRIPTION SYSTEM

