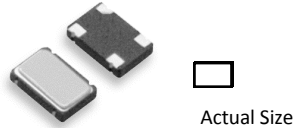
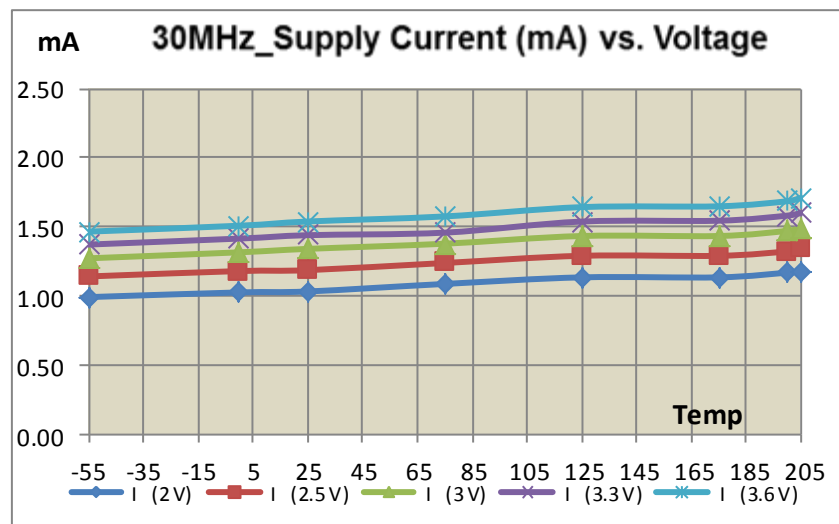
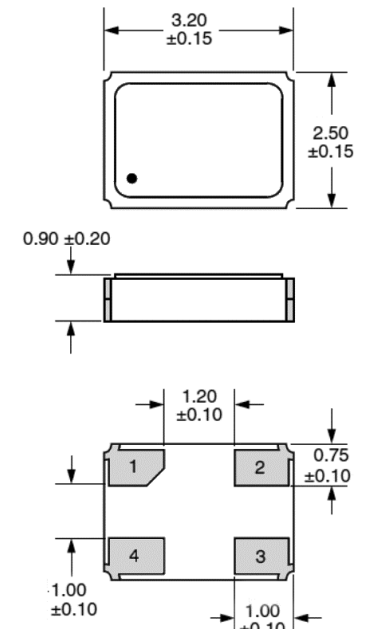


series FMOCHT2S

High Temperature 5x3.2 mm SMD Crystal OSCILLATOR

ELECTRICAL SPECIFICATIONS	PARAMETER
OUTPUT FREQUENCY	350KHz to 72MHz
SUPPLY VOLTAGE RANGE	2 TO 3.7 V
OPERATING TEMPERATURE RANGE	-55°C to +205°C
FREQUENCY STABILITY OVER TEMPERATURE	±175 ppm, -40°C to +200°C
OUTPUT LOGIC	CMOS, 15 pF load
SUPPLY CURRENT (30MHz, 3.3V & at +200 °C)	1.8mA (<12 µA in disabled mode)
OSCILLATOR ENABLE	Open or Logic "1"
STORAGE TEMPERATURE	+225°C


High Temperature—Oscillator Specification
Low Power, Miniature SMD 3.2 x 2.5 Clock
MECHANICAL SPECIFICATIONS
Package Outline Drawing


Package type: 3.2x2.5 mm
Ceramic SMD Package with 4
Gold Plated Pads

Pb-free / RoHS Compliant

PAD CONFIGURATION

Pad 1	Output Enable
Pad 2	Ground
Pad 3	Output
Pad 4	Supply V (Vcc)

Dimensions: inches / (mm)

