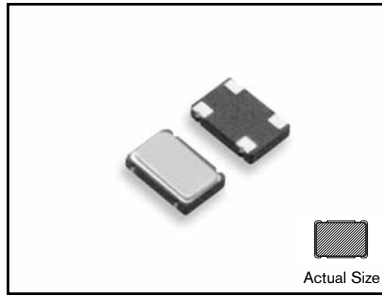


Prelim

FMTC5S3 SERIES

5.0 Vdc TCXO

CERAMIC SMD 3.2x5



- Miniature, Low Profile
- 5.0 Vdc Supply Voltage
- HCMOS / TTL Compatible
- Clipped Sinewave

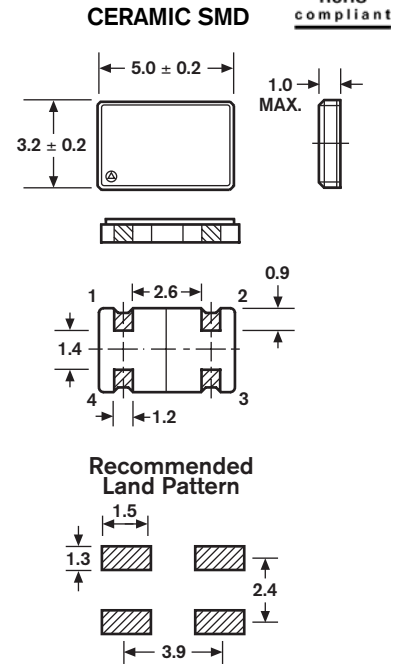


SPECIFICATIONS

09 - Issue 2 - 020309

Parameter	HCMOS/TTL Specification
Frequency Range	10 - 26.0 MHz
Frequency Adjustment Range	None (Std.); ±3 ppm min. with MT Option
Frequency Stability vs. Temp	See Table; Standard, -30°C to +75°C
Frequency Stability vs. Input V.	±0.5 ppm max.
Frequency Stability vs. Load	±0.3 ppm max.
Frequency Stability vs. Aging	±1 ppm per year max.
Storage Temperature	-40 to +85°C
Supply Voltage (Vdd)	+5.0 Vdc (±0.25 Vdc)
Supply Current (Icc)	20 mA max.
Symmetry (Duty Cycle)	40/60% Std.
Output "0" Level (VOL)	0.4 Vdc max. (TTL) 0.5 Vdc max. (HCMOS)
Output "1" Level (VOH)	2.4 Vdc min. (TTL) 4.5 Vdc min. (HCMOS)
Rise and Fall Time	10 ns max. (5ns typical)
Output Load	10 TTL / 15 pF HCMOS
Jitter (typical)	< 10 pico seconds, one sigma
Phase Noise (typical)	10 Hz -75dBc/Hz 100 Hz -110dBc/Hz 1kHz -125dBc/Hz 10kHz -130dBc/Hz 100kHz -140dBc/Hz
Aging @ 25°C	±1 ppm max first year

All specifications subject to change without notice.



FREQUENCY STABILITY vs. TEMPERATURE AVAILABILITY TABLE

Temp. Range	FM Code	Frequency Stability (±ppm)										
		015	020	025	030	035	040	045	050	100	150	
0 to 50°C	J	*	*	*	*	*	*	*	*	*	*	*
-10 to 60°C	E	*	*	*	*	*	*	*	*	*	*	*
0 to 70°C	A		*	*	*	*	*	*	*	*	*	*
-20 to 70°C	B			*	*	*	*	*	*	*	*	*
-30 to 60°C	F				*	*	*	*	*	*	*	*
-30 to 75°C	S					*	*	*	*	*	*	*
-40 to 85°C	C						*	*	*	*	*	*

* Denotes Availability

STANDARD MARKING



XX.XXX FREQUENCY in MHz

PIN FUNCTION TABLE

Pin	Function
1	No Connect
2	Case Ground
3	Output
4	Supply Voltage (Vdd)

Standard Specifications for product indicated in color

Dimensions: millimeters

PART DESCRIPTION SYSTEM

FMTC5S3 050 J SW / MT - XX.XXXXXXM - CM

