

ALP5326

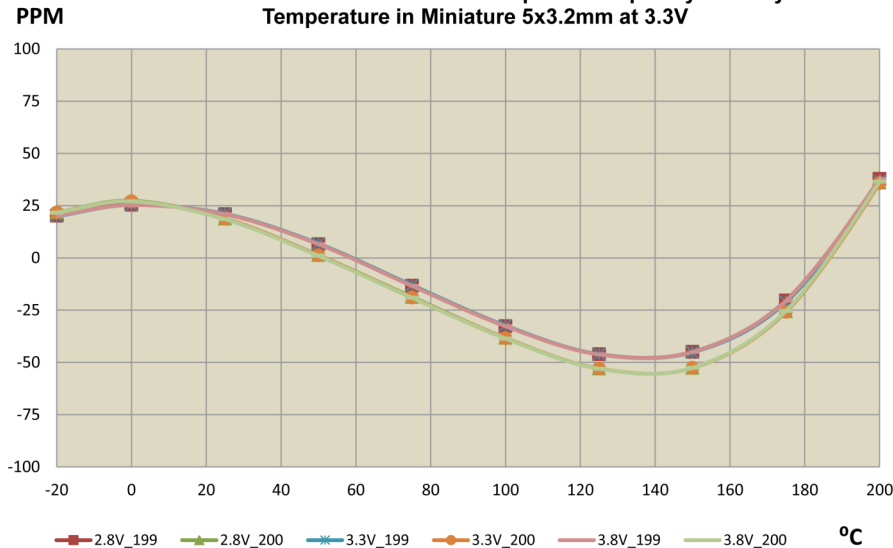
Actual Size



High Accuracy, Low-power 5x3.2 mm SMD Crystal OSCILLATOR

ELECTRICAL SPECIFICATIONS	PARAMETER
OUTPUT FREQUENCY	32.768 KHz
SUPPLY VOLTAGE RANGE	+1.8 TO +3.8V
OPERATING TEMPERATURE RANGE	-55°C to +200°C
FREQUENCY STABILITY OVER TEMPERATURE	±80 ppm, 0°C to +200°C
OUTPUT LOGIC	CMOS, 15 pF load
SUPPLY CURRENT (3.3V & at +25°C)	20µA (<10 µA in disabled mode)
SUPPLY CURRENT (3.3V & at +200°C)	40 µA (<10µA in disabled mode)
OSCILLATOR ENABLE	Open or Logic "1"
STORAGE TEMPERATURE	+225°C
OPERATIONAL LIFE	1000 Hours at +200°C min

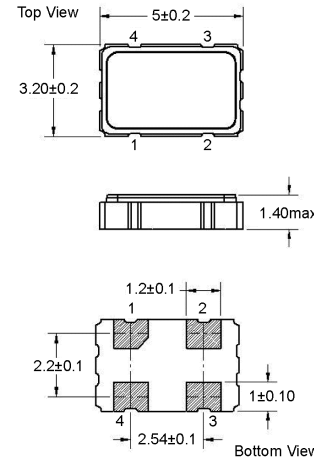
Low Power 32.768 KHz Clock offers Superior Frequency Stability vs. Temperature in Miniature 5x3.2mm at 3.3V



High Temperature—Low Power—32.768 KHz XO Precision, 5x3.2 mm SMD Clock Specification

MECHANICAL SPECIFICATIONS

Issue 7



Package type: 5x3.2 mm
Ceramic SMD Package
with 4 Gold Plated Pads
Pb-free / RoHS Compliant

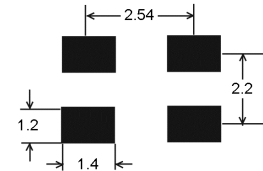
MARKING

Line 1	FMI, Part Number
Line 2	Date Code & S/N
Line 3	Pin 1 ID, ESD ID

PAD CONFIGURATION

Pad 1	Output Enable
Pad 2	Ground
Pad 3	Output
Pad 4	Supply V (Vcc)

Recommended Land Pattern



Dimensions: mm

