

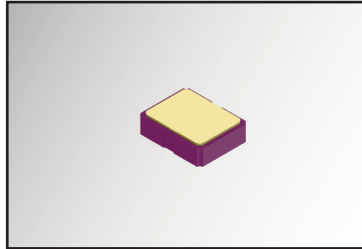
EXTREME ENVIRONMENT

SMD HIGH-TEMPERATURE PACKAGED QUARTZ CRYSTALS

FMXTHC2S_{SERIES}

Extreme Temperature
Packaged Crystals

CERAMIC SMD 3.2 x 2.5



- 12 MHz to 100 MHz
- 0°C to +200°C Standard
- High-Shock & Vibration
- Tight Stability
- -150°C to +220°C Available

SPECIFICATIONS



Parameter	Specification
Frequency Range* (see note below)	12 MHz to 100.00 MHz
Operation Mode	See Operation Mode and ESR Table
Load Capacitance (CL)	18pf Std, 8 - 60pF and Series available
Frequency Tolerance	±50ppm @ 25°C, Custom Options available
Temperature Tolerance	±250ppm Std, ±200ppm to ±300ppm available
Operating Temperature	0 to 200°C Std, Custom Options available
Storage Temperature	-55°C to +220°C
Equivalent Series Resistance (ESR)	See Operation Mode and ESR Table
Shunt Capacitance (CO)	7pF max
Drive Level	50µW typical, 300µW max
Aging @ 25°C	±5ppm per year
Screening / Testing Available	per MIL-3098

All specifications subject to change without notice.

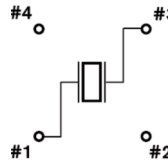
*Note: Custom designs for frequencies in the range of 8 MHz to 10 MHz available.

Call the factory.

Operation Mode and ESR Table

Freq (MHz)	Mode	MAX ESR
12.00 - 16.00	Fundamental	100
16.01 - 20.00	Fundamental	80
20.01 - 30.00	Fundamental	60
30.01 - 50.00	Fundamental	40
40.00 - 100.00	3rd Overtone	90

FMI continuously performs life test on high temperature products. Inquire about the life test relevant to your specific application.

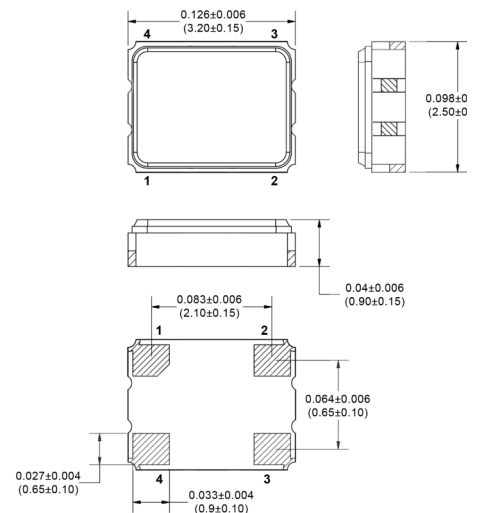


Package Options:
2 pad package available.
Please inquire.

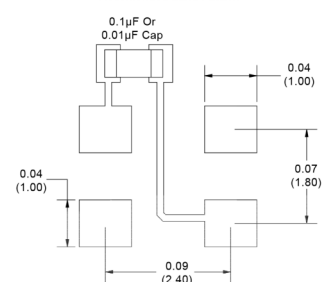
Pad Configuration

Pad	Function
1	Connect
2	No-Connect
3	Connect
4	No-Connect

CERAMIC SMD



Recommended Land Pattern



Dimensions: $\frac{\text{Inches}}{\text{(mm)}}$

Issue 1 | 06272019

PLEASE CONTACT US FOR PART NUMBERS, HOW TO ORDER,
ADDITIONAL PRODUCT SPECIFICATIONS & OR WITH YOUR CUSTOM REQUIREMENTS