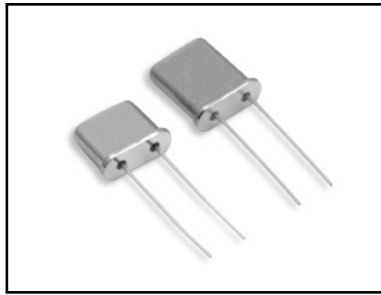


# FMXMU SERIES

## Microprocessor Crystals

### UM-1/UM-5



- Miniature Thru-Hole Packages
- Low Cost
- Multiple Packages
- Surface Mount Lead Forming

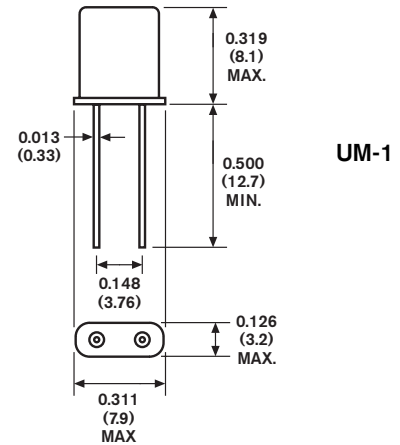


## SPECIFICATIONS

08 - Issue 2 - 071508

Parameter	Specification
Frequency Range	6 - 180 MHz FMXMU1 / 10 - 180 MHz FMXMU5
Operation Mode	See Operation Mode and ESR Table
Load Capacitance (CL)	18 pF Std., 8 - 60 pF and Series available
Frequency Tolerance	±30ppm @ 25°C Std. (See Cal. Tol. for Options)
Temperature Tolerance	±50 ppm Std. (See Temp. Tol. for Options)
Operating Temperature	0 to +70°C Std. (See Temp. Range for Options)
Storage Temperature	-55 to +125°C
Equivalent Series Resistance (ESR)	See Operation Mode and ESR Table
Shunt Capacitance (C0)	7 pF max.
Drive Level	50 uW typical, 1 mW max.
Aging @ 25°C	±5 ppm per year max.

All specifications subject to change without notice.



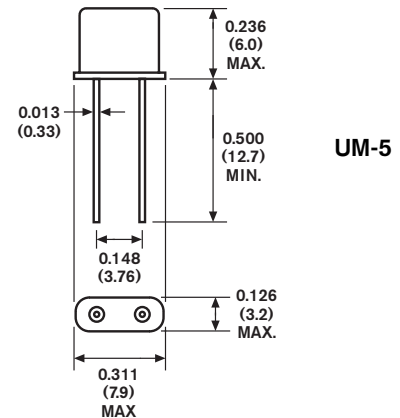
### OPERATION MODE AND ESR TABLE FOR UM-1 PKG.

Frequency (MHz)	Mode	Max. ESR (Ohms)
6.0 - 9.9	Fundamental	60
10.0 - 14.9	Fundamental	40
15.0 - 39.9	Fundamental	40
40.0 - 80.0	3rd Overtone	80
70.0 - 124.9	5th Overtone	80
125.0 - 180.0	5th Overtone	120

### STANDARD MARKING

XXX.XXXM  
XXXXXXX  
FMI YYWW

XXX.XXXM FREQUENCY in MHz  
XXXXXXX Part Number  
FMI, Date Code



### OPERATION MODE AND ESR TABLE FOR UM-5 PKG.

Frequency (MHz)	Mode	Max. ESR (Ohms)
10.0 - 15.9	Fundamental	40
16.0 - 26.9	Fundamental	40
27.0 - 39.9	Fundamental	40
40.0 - 80.0	3rd Overtone	80
70.0 - 124.0	5th Overtone	100
125.0 - 180.0	5th Overtone	120

**NOTE: Standard Specifications for product indicated in color**

Dimensions: Inches  
(mm)

## PART DESCRIPTION SYSTEM

