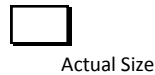


FREQUENCY MANAGEMENT INTERNATIONAL



HIGH TEMPERATURE REAL TIME CLOCK

P/N: **RTC2006 Rev. F**

High Temperature 5x7 mm SMD Real Time Clock MODULE

ELECTRICAL SPECIFICATIONS		PARAMETER	PAD CONFIGURATION	
SUPPLY VOLTAGE	/1	+2.7V to +3.6V	Pad 1	/2 Do Not Connect*
OPERATING TEMPERATURE RANGE		-40°C to +200°C	Pad 2	SDA: Serial Data I/O
FREQUENCY STABILITY OVER TEMP		±200 ppm max	Pad 3	SCL: Serial Input Clock
I/O INTERFACE		I ² C	Pad 4	Ground
SUPPLY CURRENT		85 µA max @ +3.3V (no-load condition)	Pad 5	Do Not Connect*
			Pad 6	Do Not Connect*
			Pad 7	Do Not Connect*
			Pad 8	Supply V (Vcc)

/1: Internal time keeping registers will retain data @ +200°C at the supply voltage ≥ 1.5V.

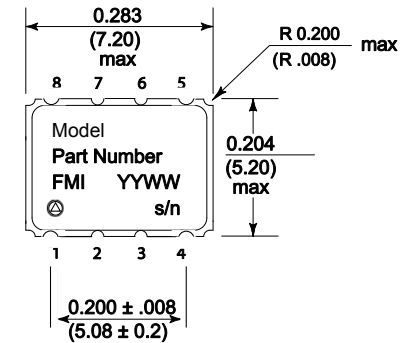
/2: 32.768 KHz Clock Output option available, please inquire.

* pads 1, 5, 6, & 7 must be left open

MECHANICAL SPECIFICATIONS

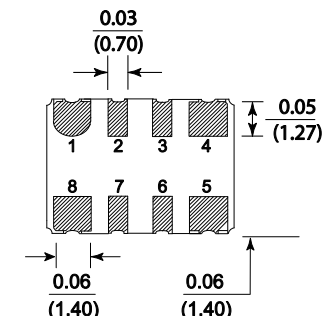
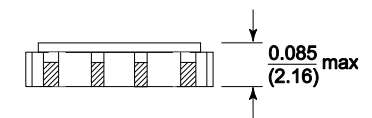
Package type: 5x7 mm
Ceramic SMD Package with
8 Gold Plated Pads Pb-free /
RoHS Compliant

Package Outline Drawing



Dimensions: inches / (mm)

Marking Example



An external bypass capacitor 0.01µF is required between Vcc and GND

MARKING

Line 1	Model
Line 2	Part Number
Line 3	FMI & Date Code
Line 4	Pin 1 ID, ESD & S/N

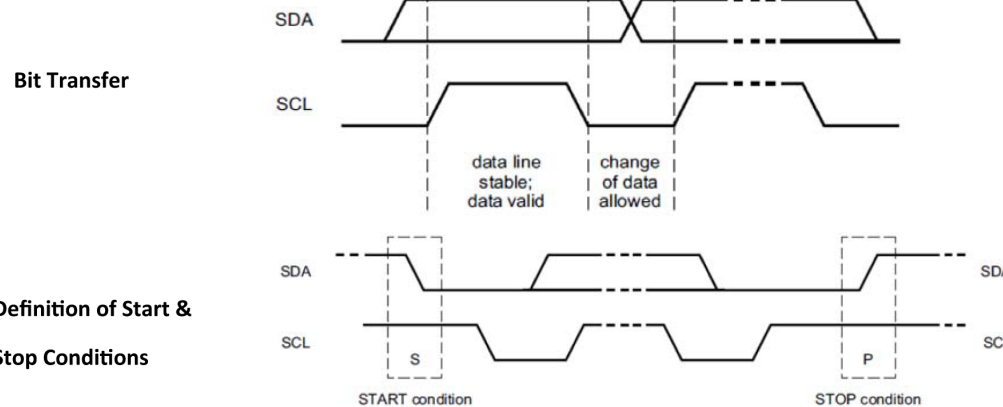
FMI Drawing Number: RTC2006 Rev: F

Date: 06/09/2019

By: G. Slacum

Page: 1 of 1

Approval: K. Sariri



FREQUENCY MANAGEMENT INTERNATIONAL

15302 Bolsa Chica Street, Huntington Beach, CA 92649

Tel: 714 373 8100 | US Only: 800 800 9825 | Fax: 714 373 8700