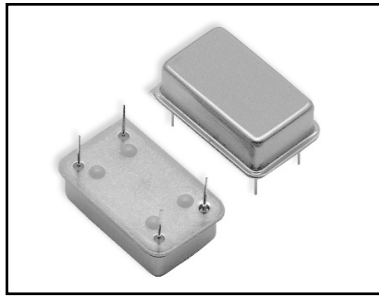


FMOPCL FMOECL SERIES

+5.0, +3.3 or -5.2, Vdc
PECL & ECL Clock Oscillators

14 PIN DIP



- ECL and PECL Voltage Options
- High Frequency Range
- Low Noise
- SMD Gull Wing Available



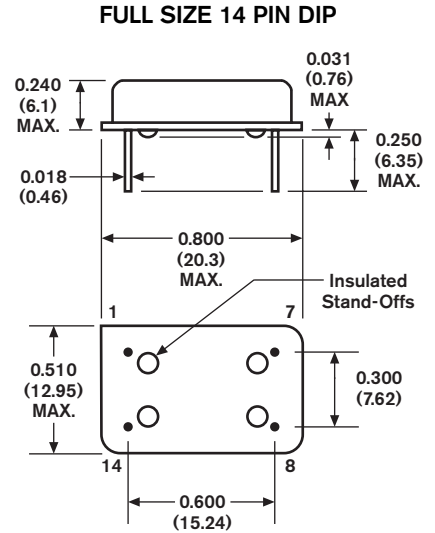
SPECIFICATIONS

08 - Issue 2 - 041508

Parameter	PECL	Specification	ECL
Frequency Range	30.0 – 160.0 MHz		
Overall Frequency Tolerance	±20 ppm to ±100 ppm (Inclusive of Operating Temp., Supply Voltage and Load)		
Operating Temperature Range	0 to +70° C Std. (See Temp. Range Options)		
Storage Temperature	-55° to +125° C		
Supply Voltage (Vdd)	+5.0 Vdc (±0.5 Vdc)	5.2 Vdc (±0.5Vdc)	(See Voltage Options)
	+3.3 Vdc (±0.3 Vdc)		(See Voltage Options)
Supply Current	70 mA max. (+5.0 Vdd)	70 mA max. (-5.2 Vdd)	
	60 mA max. (+3.3 Vdd)		
Symmetry (Duty Cycle)	40/60% Std., 45/55% Avail. (See Spec. Options S)		
Logic Type	PECL / ECL squarewave, 100K Compatible		
Output Load*	330 ohms to Vee.	50 ohms to -2 Vcd., ref. to Vdd.	(See Test Circuits pg. 49)
Output "0" Level (VOL)	(Vdd - 1.60 Vdc) max. -1.62 Vdc max.		
Output "1" Level (VOH)	(Vdd - 1.02 Vdc) min. -1.02 Vdc min.		
Rise and Fall Time	2nS max.		
Pin 1 Options (See Spec Options N, C, T below and add option letter in part number)	Pin 1: No Connection (N) Pin 1: Complementary Output (C) Pin 1: Tri-State (T) Tri-State Enable Low Level, (VIL -1.60) Vdc Max. Tri-State Disable High Level, (VIH -1.02) Vdc Min.		
When oscillator is disabled, the output is in a low state (VOL).			
Aging @ 25°C	±5ppm max first year		

All specifications subject to change without notice.

*Other ECL and PECL Output Load and Pin Function configurations are available upon request.



PIN FUNCTION TABLE

Pin	Function
1	See Pin 1 Options
7	Vee (Case Ground)
8	Output
14	Vdd (Supply Voltage)

STANDARD MARKING

XXX.XXXM
XXXXXXX
• FMI YYWW

XXX.XXXM FREQUENCY in MHz
XXXXXXX Part Number
Pin 1 Symbol, FMI, Date Code

Standard Specifications for product indicated in color

Dimensions: Inches
(mm)

PART DESCRIPTION SYSTEM

FMO PCL A 00 A S/N/C/T - XXX.XXXXXXM - CM

