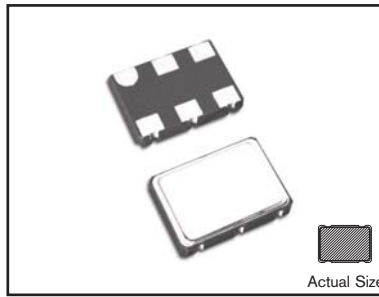


SERIES FMOLVPC3S

3.3 Vdc Clock Oscillators

CERAMIC SMD 5x7



- Miniature, Low Profile
- 3.3 Vdc Supply Voltage
- LV PECL
- Low Current Consumption



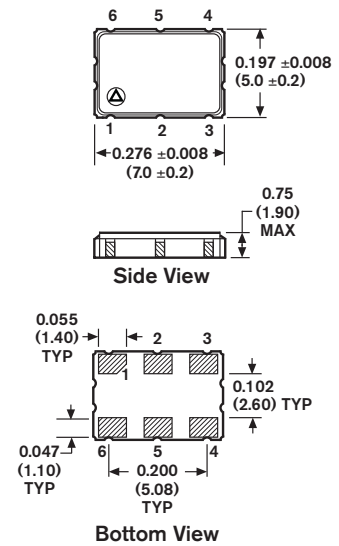
SPECIFICATIONS

08 - Issue 2 - 091508

Parameter	Specification
Frequency Range	10.000 to 250.000 MHz
Overall Frequency Tolerance	±20 ppm to ±100 ppm (Inclusive of Operating Temp., Supply Voltage, & Load)
Operating Temperature Range	0 to +70°C Std., -40 to +85°C Avail.
Storage Temperature	-55 to +125°C
Supply Voltage (Vdd)	+3.3 Vdc (±0.3 Vdc)
Supply Current (Icc)	90 mA max. at 250 MHz
Phase Jitter	3 pS RMS max. Condition: 12 kHz to 20 MHz
Symmetry (Duty Cycle)	40/60% Std., 45/55% Avail. (See Spec. Option S)
Output "1" Level (Vcc)	Vcc - 1.025 V min.
Output "0" Level (Vcc)	Vcc - 1.620 V min.
Rise and Fall Time	0.55 ns max. (20 to 80%)
Start Time	10 ms max. < 5 ms typical
Output Load	50 ohms max. (Vcc - 2.0V)
Pin 1 Options (See Spec. Option T below)	No Connect (Std.) Tri-State (option T) VIH: 2.2 V or Open Enables Output VIL: 0.8 V Disables Output Output Disable/Enable Time: 100 nS max.
Aging @ 25°C	±5ppm max first year

All specifications subject to change without notice.

CERAMIC 5x7 SMD



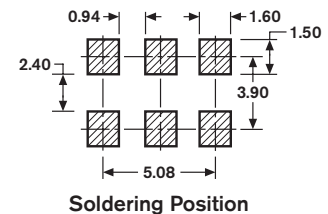
STANDARD MARKING

XXX.XXXM
XXXXXXX
• FMI YYWW

XXX.XXXM FREQUENCY in MHz
XXXXXXX Part Number
Pin 1 Symbol, FMI, Date Code

PIN FUNCTION TABLE

Pin	Function
1	Tri-state Enable/Disable
2	NC or Tri-State
3	Ground (Case)
4	Output
5	Diff. Output
6	Supply Voltage (Vdd)



Standard Specifications for product indicated in color

Dimensions: $\frac{\text{Inches}}{\text{(mm)}}$

PART DESCRIPTION SYSTEM

FMOLVPC3S 00 A S / T - XX.XXXXXXM - CM

