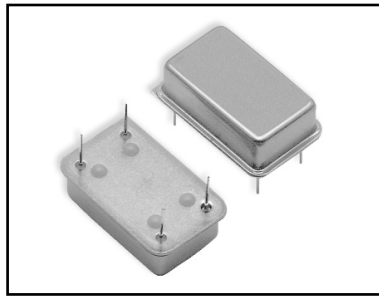


FMOC31 SERIES

3.3 Vdc Clock Oscillators

14 PIN DIP



- 3.3 Vdc Supply Voltage
- HCMOS/TTL Compatible
- Wide Frequency Range
- Hermetically Sealed

SPECIFICATIONS

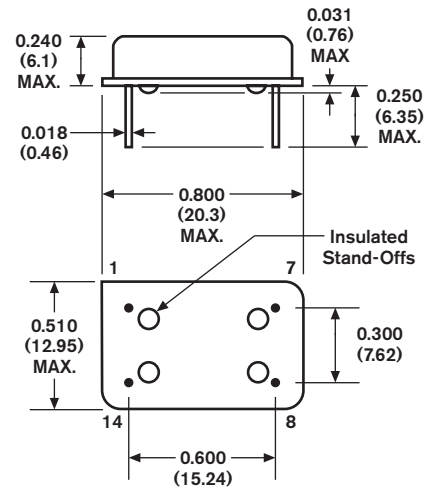


08 - Issue 2 - 041508

Parameter	Specification
Frequency Range	500.0 kHz - 160.0 MHz
Overall Frequency Tolerance	±20 ppm to ±100 ppm (Inclusive of Operating Temp., Supply Voltage, & Load)
Operating Temperature Range	0 to +70°C Std. (See Temp. Range Options)
Storage Temperature	-55 to +125°C
Supply Voltage (Vdd)	+3.3 Vdc (±0.3 Vdc)
Supply Current (Icc)	15 mA max. @ 500.0 kHz to 23.9 MHz 25 mA max. @ 24.0 to 49.9 MHz 30 mA max. @ 50.0 to 85.0 MHz 70 mA max. @ 86.0 to 160.0 MHz
Symmetry (Duty Cycle)	40/60% Std., 45/55% Avail. (See Spec. Option S)
Output "0" Level (VOL)	0.4 Vdc max. (TTL) 0.4 Vdc max. (HCMOS)
Output "1" Level (VOH)	2.4 Vdc min. (TTL) 2.7 Vdc min. (HCMOS)
Rise and Fall Time	10 ns max. < 5 ns typical
JitterAbsolute:	±100 pSec Max One Sigma: ±25 pSec Max
Start Time	10 ms max. < 5 ms typical
Output Load	2 TTL / 15 pF HCMOS
Pin 1 Options	No Connect (Std.) (See Spec. Option T below) Tri-State (option T) VIH: 2.2 V or Open Enables Output VIL: 0.8 V Disables Output
Output Disable/Enable Time:	100 nS max.
Aging @ 25°C	±5ppm max first year

All specifications subject to change without notice.

FULL SIZE 14 PIN DIP



STANDARD MARKING

XXX.XXXM
XXXXXXX
• FMI YYWW

XXX.XXXM FREQUENCY in MHz
XXXXXXX Part Number
Pin 1 Symbol, FMI, Date Code

PIN FUNCTION TABLE

Pin	Function
1	NC or Tri-State
7	Case Ground
8	Output
14	Supply Voltage (Vdd)

Standard Specifications for product indicated in color

Dimensions: Inches
(mm)

PART DESCRIPTION SYSTEM

FMOC31 00 A S/T - XX.XXXXXXM - CM

