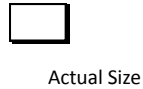




Features...

- 75 MeV/Cm²/mg LET ions
- TID to 150 KRad/Si (min)
- Class K
- Robust, High Shock Crystal Support



Crystal OSCILLATOR, 5x7 mm Ceramic SMD

ELECTRICAL SPECIFICATIONS	PARAMETER
OUTPUT FREQUENCY	25 to 135 MHz
SUPPLY VOLTAGE	+3.3V ±10% (optional, +5V ±10%)
OPERATING TEMPERATURE RANGE	-40°C to +85°C or -55°C to +125°C
FREQUENCY STABILITY OVER TEMPERATURE	±65 ppm max *
OUTPUT LOGIC	CMOS; 15 pF Load
SUPPLY CURRENT	27 mA max @ +3.3V @ 125 MHz
SYMMETRY	40/60%

*Including frequency change vs. temperature, calibration, power supply 1 year aging.

Optional: Swept Quartz Crystals

Element Evaluation & SCREENING
Element evaluated to MIL-PRF-38534 class K
Per MIL-PRF-55310, S or B Level Screen, or as customer defined
Per MIL-PRF-38534, K or H Level Screen, or as customer defined

FREQUENCY MANAGEMENT INTERNATIONAL

15302 Bolsa Chica Street, Huntington Beach, CA 92649

Tel: 714 373 8100 | US Only: 800 800 9825 | Fax: 714 373 8700

www.FrequencyManagement.com

Rad Hard (TID/SEE)

Hi-Rel Rad Hard Crystal Oscillator Specification

FMI Series: S10

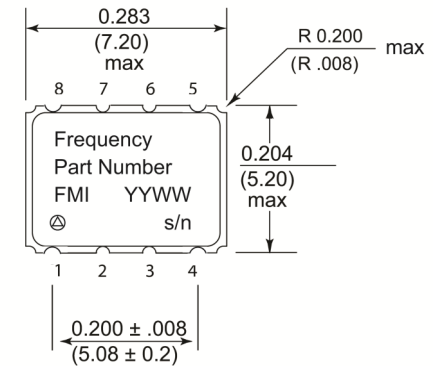
MECHANICAL SPECIFICATIONS

Package type: 5x7 mm
Ceramic SMD Package
with 8 Gold Plated Leads

Pb-free / RoHS Compliant

Gull Wing and other Lead Form Options available, please inquire.

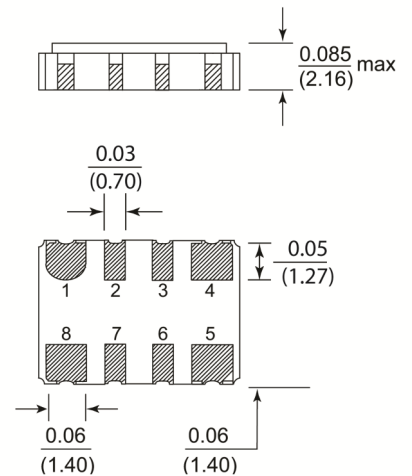
PACKAGE OUTLINE DRAWING



PAD CONFIGURATION

Pad 1,2,3	Ground
Pad 4	Ground (Lid)
Pad 5	Output
Pad 6, 7	Supply V (Vcc)
Pad 8	Supply V (Vcc)

Soldering to Pads 2, 3, 6 & 7 is Optional.



An external bypass capacitor 0.01 µF is required between Vcc and GND

Dimensions: inches / (mm)

Contact: Sales@FrequencyManagement.com