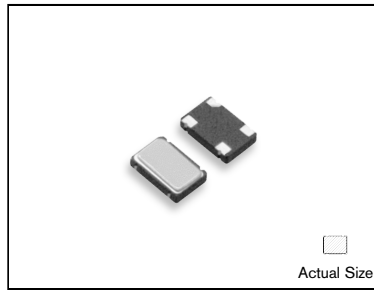


FMTC1S2 SERIES

1.8 Vdc TCXO

CERAMIC SMD 3.2x2.5



- Ultra Miniature, Low Profile
- 1.8 Vdc Supply Voltage
- Low Power Consumption
- Clipped Sinewave

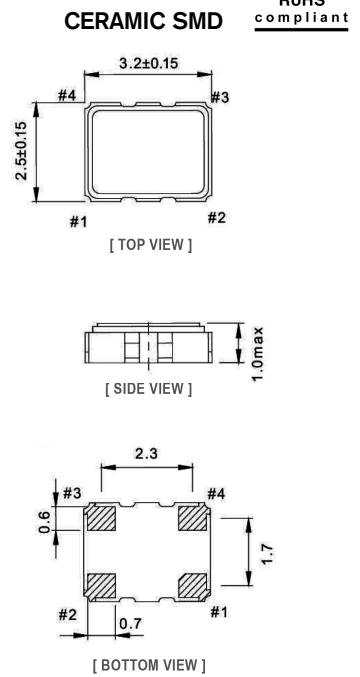
SPECIFICATIONS

Issue 1 - 03262018



Parameter	Clipped Sinewave Specification
Frequency Range	10 to 52 MHz
Frequency Tolerance at +25°C	±2.0 ppm max
Frequency Stability vs. Supply V. ±5% Change	±0.2 ppm max
Frequency Stability vs. Load ±10% Change	±0.2 ppm max
Frequency Stability vs. Aging	±1 ppm first year max
Storage Temperature	-55°C to +125°C
Supply Voltage (Vdd)	1.8 Vdc ±5%
Supply Current (Icc)	10 MHz ≥ Fo < 26 MHz: 1.5 mA max 26 MHz ≥ Fo < 52 MHz: 2.0 mA max
Symmetry (Duty Cycle)	40/60% Std.
Output Voltage Level Clipped Sinewave	0.8 min, 2.0 max Vp-p
Output Load	10 Kohm // 10pF
Start-up Time	2 mSec max
Phase Noise (typical)	100 Hz: -115 dBc/Hz 1kHz: -135 dBc/Hz 10kHz: -148 dBc/Hz
Aging @ +25°C	±1 ppm max first year

All specifications subject to change without notice.



PIN FUNCTION TABLE

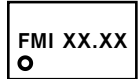
Pin	Function
1	No Connect
2	Ground
3	Output
4	Supply Voltage (Vdd)

FREQUENCY STABILITY vs. TEMP. AVAILABILITY TABLE

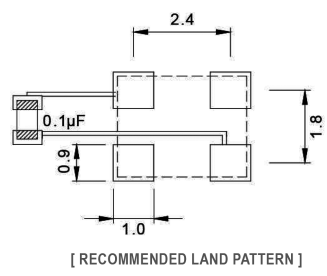
Temp. Range	FM Code	Frequency Stability (±ppm)				
		±0.5	±1.0	±1.5	±2.0	±2.5
0 to +50	J	*	*	*	*	*
-10 to +60	E	*	*	*	*	*
-20 to +70	B	*	*	*	*	*
-30 to +75	S	•	*	*	*	*
-40 to +85	C	•	*	*	*	*

* Denotes Availability, • Denotes Conditional, consult the factory

STANDARD MARKING



XX.XXX FREQUENCY in MHz



Standard Specifications for product indicated in color

Dimensions: millimeters

PART DESCRIPTION SYSTEM

